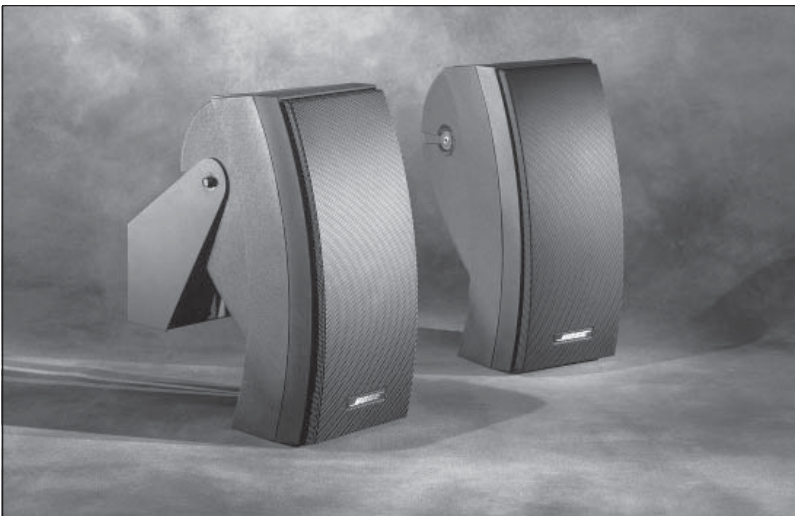


Bose® Panaray® 302™ A Loudspeaker

Installer's Guide

BOSE®



Safety reminders

- 1.1 Read and keep all safety and operating instructions for future reference.
- 1.2 For your safety, follow all cautions and warnings in the operating instructions and on the speakers.
- 1.3 Follow the instructions in this guide carefully when installing this product.
- 1.4 Do not install the loudspeakers near excessive heat sources. This includes installations near or above radiators, ranges, grills, fryers, stoves, or other appliances.
- 1.5 Always route cables so heavy or sharp objects cannot pinch or cut them.
- 1.6 Service by a qualified service person if:
 - A. The loudspeaker cone is visibly damaged;
 - B. The loudspeakers do not operate normally even though the instructions in this guide have been followed;
 - C. The loudspeakers exhibit a distinct change in performance.



DECLARATION OF CONFORMITY

We, the offerer:

Bose® Corporation, The Mountain, Framingham, MA 01701-9168 USA
acknowledge our sole responsibility, that the product:

Kind of equipment:	Loudspeaker
Type designation:	302™A loudspeaker

In accordance with EMC Directive 89/336/EEC and Article 10(1) of the Directive,
is in compliance with the following norm(s) or document(s):

Technical regulations: EN50081-1, EN50082-1

Accredited by:

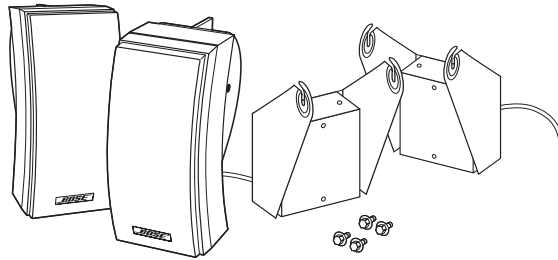
Bose Corporation, The Mountain, Framingham, MA 01701-9168 USA

29 April 2000

Bose Products B.V.
Nijverheidstraat 8, 1135 GE Edam
The Netherlands

Nic Merks
Vice President Europe
Manufacturer's authorized EU representative

1.0 Package contents



2.0 Steps for loudspeaker installation

To install the Bose® Panaray® 302™A loudspeaker, first remove the transformer cover from the bracket.

2.1 Changing the voltage and tap setting

The transformer is set at the factory for 70V, 200W operation.

To change from 70V, replace the orange wire with:

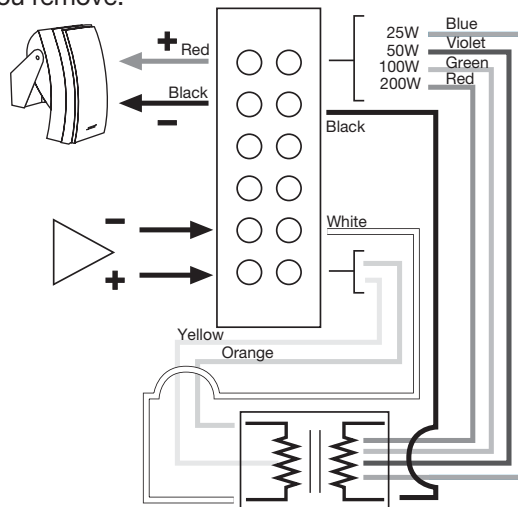
- Yellow for 100V

To change from 200W, replace the red wire with:

- Green for 100W
- Violet for 50W
- Blue for 25W

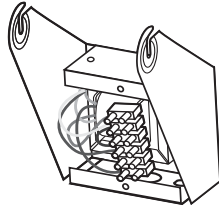
⚠ Caution: Do not replace or remove the black ground wire.

Be sure to put a wire nut or electrical tape over the bare end of the wire you remove.

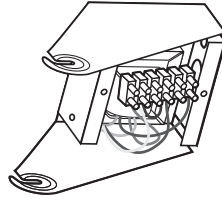


2.2 Mounting the bracket

⚠ Caution: Install the loudspeakers in compliance with local building and electrical codes. Use minimum size #10 (M4) pan head screws. In the U.S., this version is designed for installation using Class 2 wiring methods in accordance with Articles 640 and 725 of NFPA 70, National Electrical Code.



Wall mounted

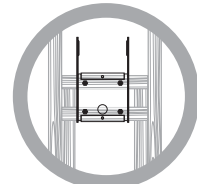
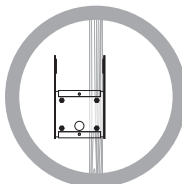
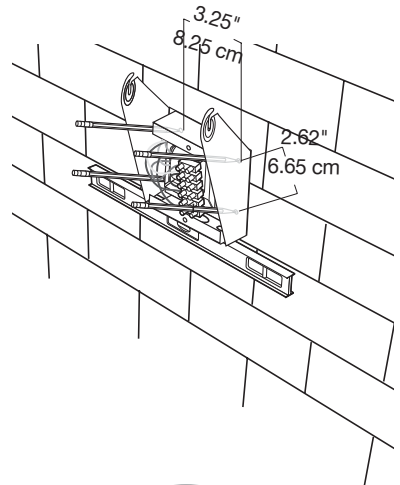
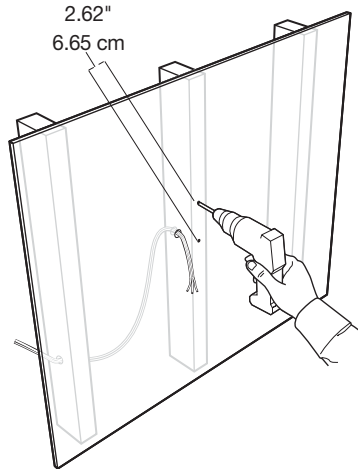


Ceiling mounted

2.2.1 Prepare the mounting surface

For either wall or ceiling mounting, use all four mounting holes on the bracket, and use anchors as needed. For indoor installations on wallboard, be sure that at least two of the screws attach to a stud.

⚠ Warning: For outdoor installations, do not attach the bracket to wallboard construction.

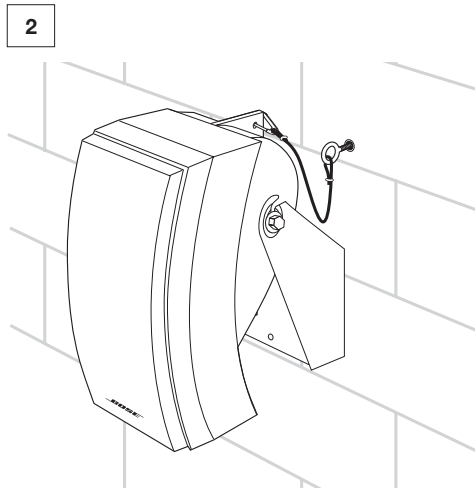
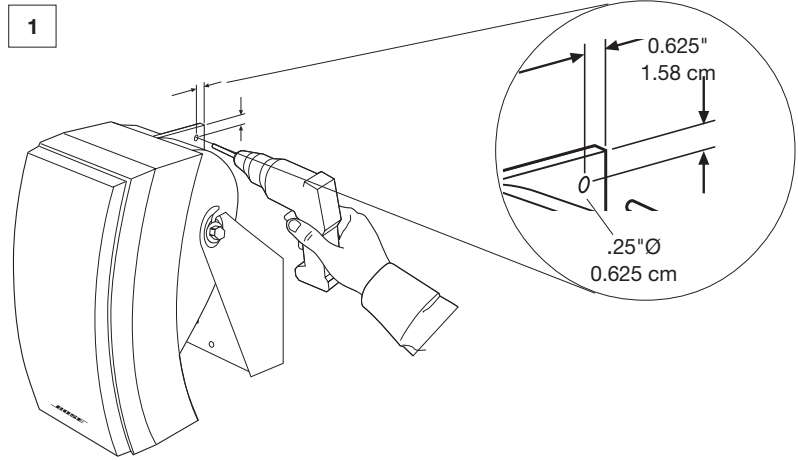


2.2.2 Make an allowance for the wiring

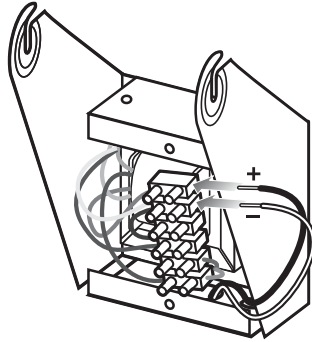
Consider how the amplifier wires will thread into the bracket.

- To use the rear opening on the bracket, be sure to insert the wires first, before you mount the bracket.
- To use the bottom opening, remove the plug from that opening. Insert the wires through that opening after the bracket is attached.

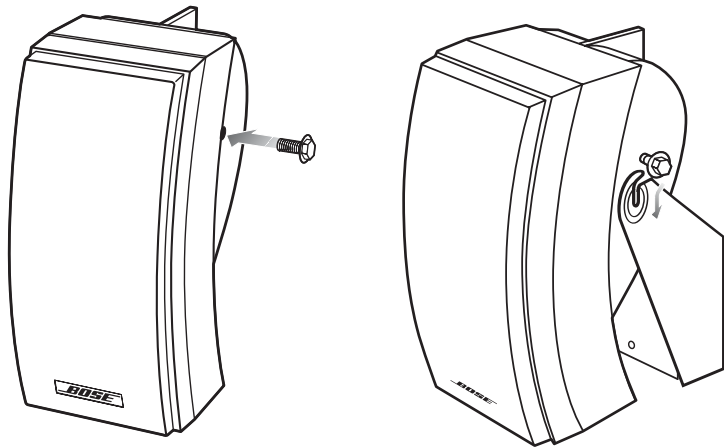
2.2.3 Steps for adding a safety cable



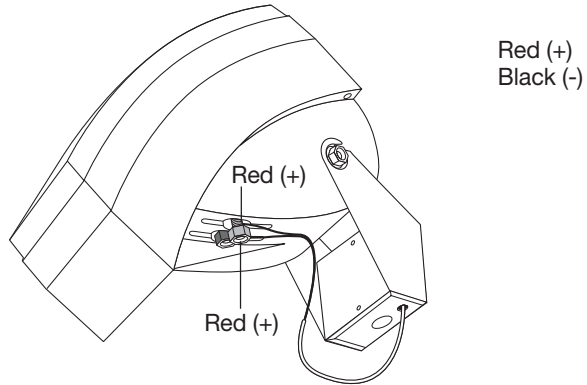
2.3 Connecting the amplifier wires



2.4 Attaching the speaker to the bracket



2.5 Connecting the speaker wires



2.6 Adjusting the speaker

